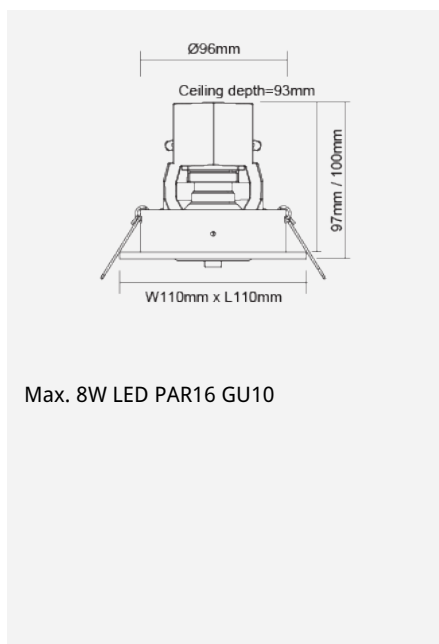
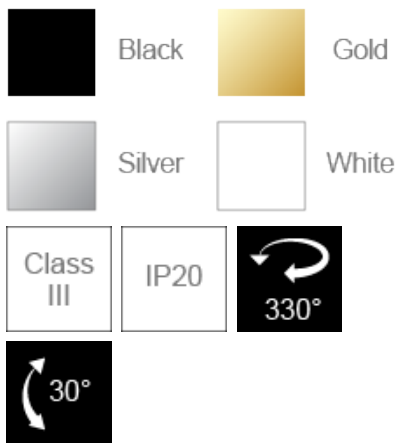


# MALCOLM Adjustable Recessed Downlight (PAR16)



Product Code:

**F13517RC**

## Product Data

Max. Wattage (W)	8
Light Source	LED PAR16
Lamp Base	GU10
Rotating Angle (°)	330
Tilting Angle (°)	30
Colour	Black (BK23), Gold (GD23), Silver (SV26), White (WH24)
Materials	Aluminium and polycarbonate
Protection Class	Class II
Dimmable	N/A
Weight (g)	290
Application	Homes, Department Stores, Exhibition Booths, Galleries and Museums, Restaurants, Shops and Boutiques

## Performance Data

IP Rating	IP20
-----------	------

## Product Dimensions

Length (mm)	110
Width (mm)	110
Height (mm)	97
Cut-out (mm)	Ø96

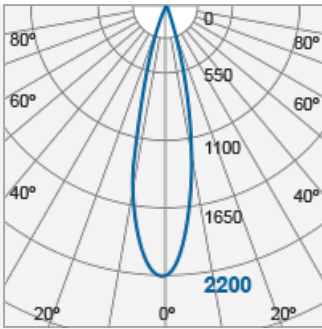
Product Code: F13517RC

MEGAMAN® 2005-2019. All Rights Reserved.

This document is for informational purpose only.

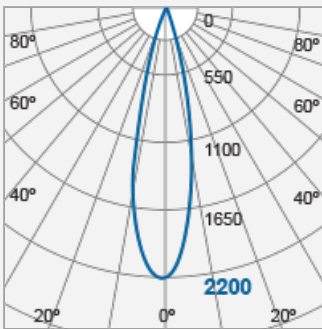
MEGAMAN® reserves the right to make changes from time to time in the interest of product developments without prior notification to any products herein.

[www.cn.megaman.cc](http://www.cn.megaman.cc)



m	Lux	Ø cm
0.5	8800	21
1	2200	43
1.5	978	64
2	550	85

Beam angle = 24°



m	Lux	Ø cm
0.5	8800	21
1	2200	43
1.5	978	64
2	550	85

Beam angle = 24°

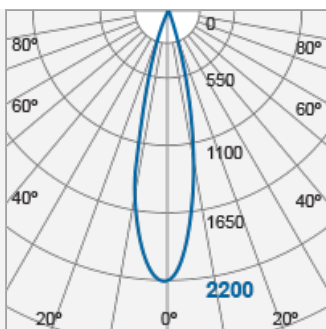
Product Code: F13517RC

MEGAMAN® 2005-2019. All Rights Reserved.

This document is for informational purpose only.

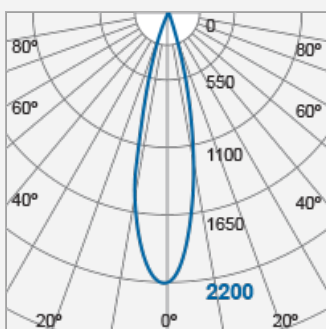
MEGAMAN® reserves the right to make changes from time to time in the interest of product developments without prior notification to any products herein.

[www.cn.megaman.cc](http://www.cn.megaman.cc)



m	Lux	Ø cm
0.5	8800	21
1	2200	43
1.5	978	64
2	550	85

Beam angle = 24°



m	Lux	Ø cm
0.5	8800	21
1	2200	43
1.5	978	64
2	550	85

Beam angle = 24°

Product Code: F13517RC

MEGAMAN® 2005-2019. All Rights Reserved.

This document is for informational purpose only.

MEGAMAN® reserves the right to make changes from time to time in the interest of product developments without prior notification to any products herein.

[www.cn.megaman.cc](http://www.cn.megaman.cc)