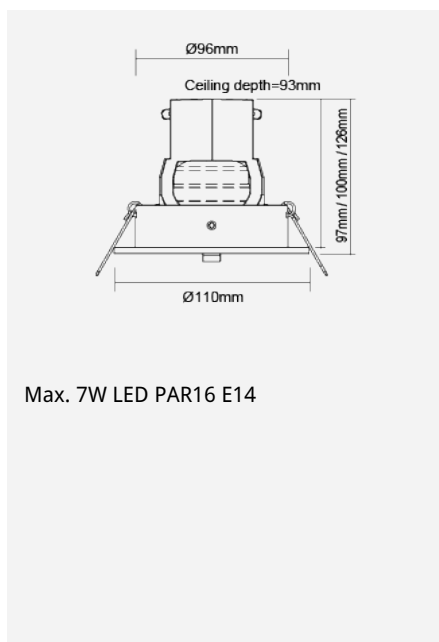
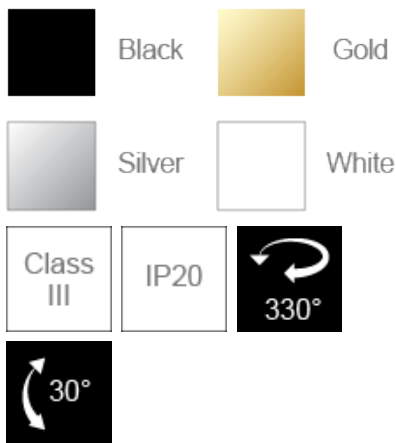


MALCOLM Adjustable Recessed Downlight (PAR16)



Product Code:

F13442RC

Product Data	
Max. Wattage (W)	7
Light Source	LED PAR16
Lamp Base	E14
Rotating Angle (°)	330
Tilting Angle (°)	30
Colour	Black (BK23), Gold (GD23), Silver (SV26), White (WH24)
Materials	Aluminium and polycarbonate
Protection Class	Class II
Dimmable	N/A
Weight (g)	245
Application	Homes, Department Stores, Exhibition Booths, Galleries and Museums, Restaurants, Shops and Boutiques
Performance Data	
IP Rating	IP20
Product Dimensions	
Diameter (mm)	110
Height (mm)	126
Cut-out (mm)	Ø96

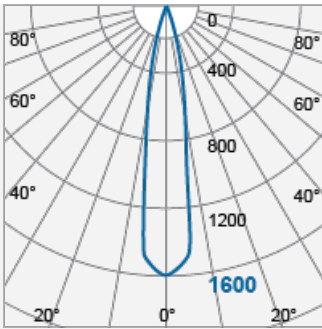
Product Code: F13442RC

MEGAMAN® 2005-2019. All Rights Reserved.

This document is for informational purpose only.

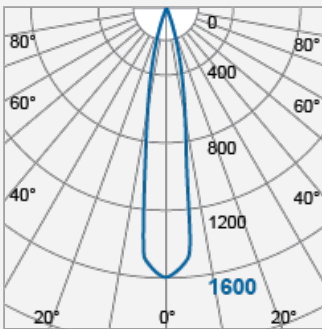
MEGAMAN® reserves the right to make changes from time to time in the interest of product developments without prior notification to any products herein.

www.cn.megaman.cc



m	Lux	Ø cm
0.5	6400	13
1	1600	26
1.5	711	39
2	400	53

Beam angle = 15°



m	Lux	Ø cm
0.5	6400	13
1	1600	26
1.5	711	39
2	400	53

Beam angle = 15°

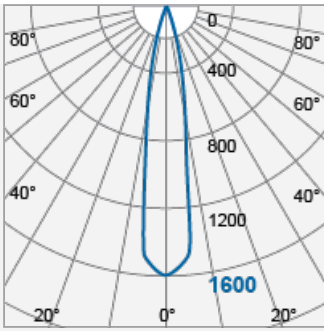
Product Code: F13442RC

MEGAMAN® 2005-2019. All Rights Reserved.

This document is for informational purpose only.

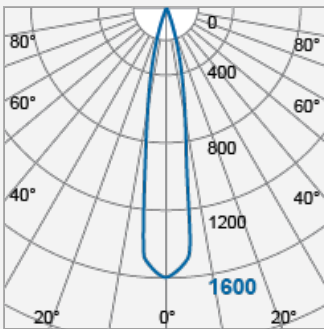
MEGAMAN® reserves the right to make changes from time to time in the interest of product developments without prior notification to any products herein.

www.cn.megaman.cc



m	Lux	Ø cm
0.5	6400	13
1	1600	26
1.5	711	39
2	400	53

Beam angle = 15°



m	Lux	Ø cm
0.5	6400	13
1	1600	26
1.5	711	39
2	400	53

Beam angle = 15°

Product Code: F13442RC

MEGAMAN® 2005-2019. All Rights Reserved.

This document is for informational purpose only.

MEGAMAN® reserves the right to make changes from time to time in the interest of product developments without prior notification to any products herein.

www.cn.megaman.cc